



Thermal RC network (Foster)

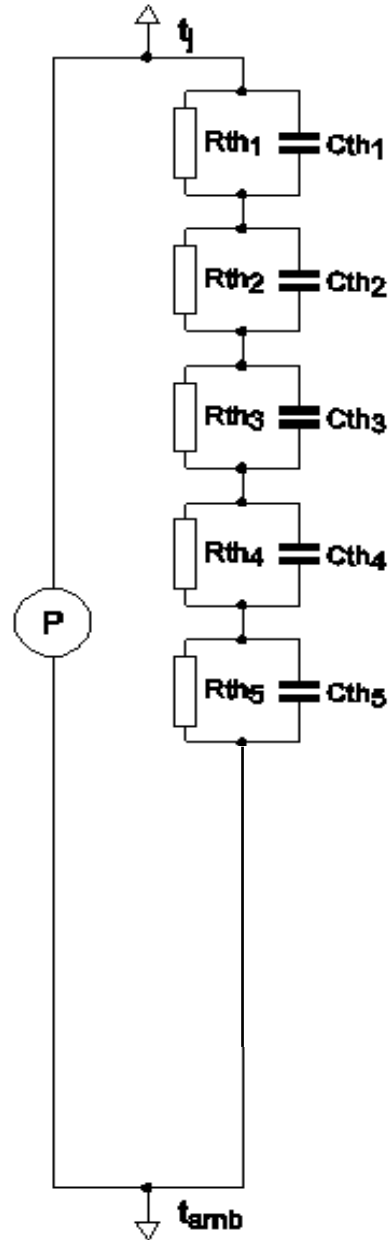
SPICE thermal model

PSMN1R0-30YLD

Symbol	Parameter	Conditions	Min	Typ	Max	Unit
$R_{th(j-mb)}$	thermal resistance from junction to mounting base		-	-	0.45	K/W

C_{th1}	9.758E-05 F
C_{th2}	2.602E-04 F
C_{th3}	1.076E-03 F
C_{th4}	1.183E-03 F
C_{th5}	7.508E-03 F

R_{th1}	1.093E-03 Ω
R_{th2}	1.733E-03 Ω
R_{th3}	1.790E-02 Ω
R_{th4}	1.628E-02 Ω
R_{th5}	4.158E-01 Ω



Part: PSMN1R0-30YLD

Date: 10/6/2014

Model Rth 0.45 K/W